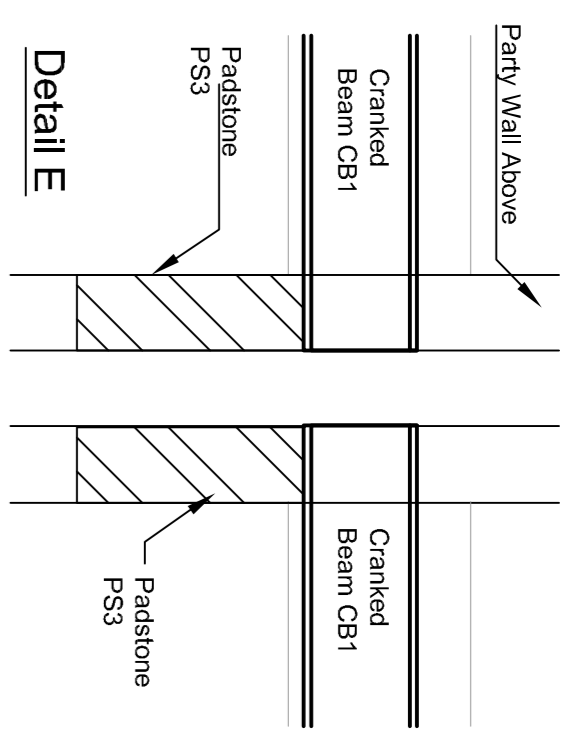
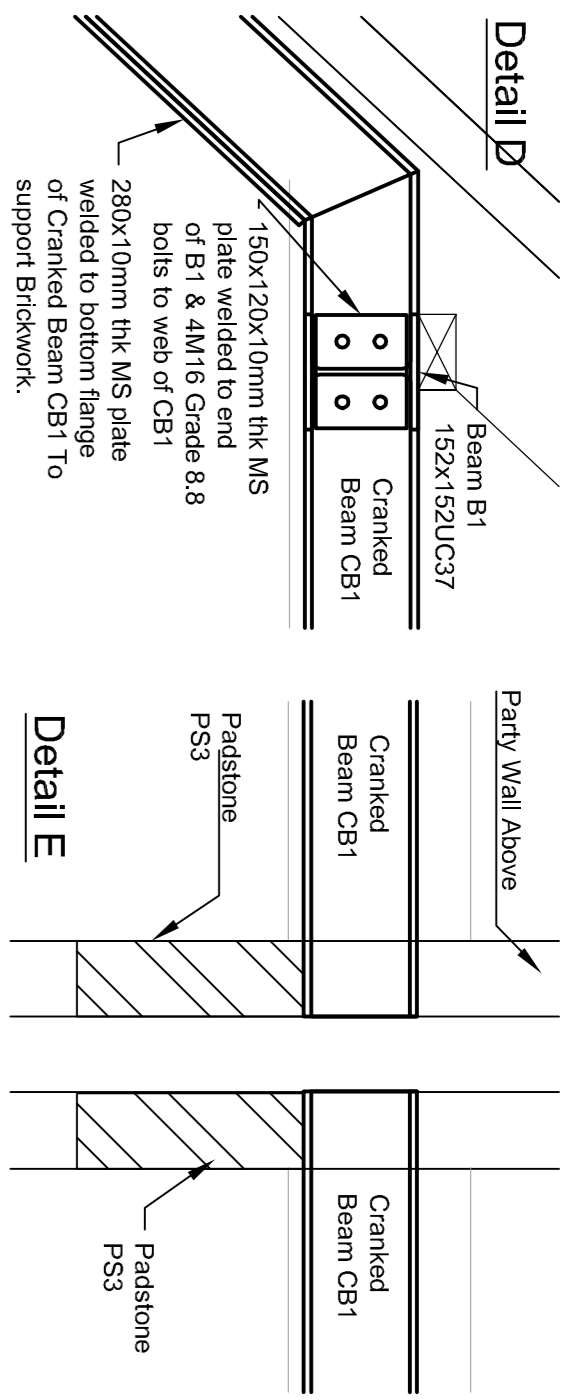
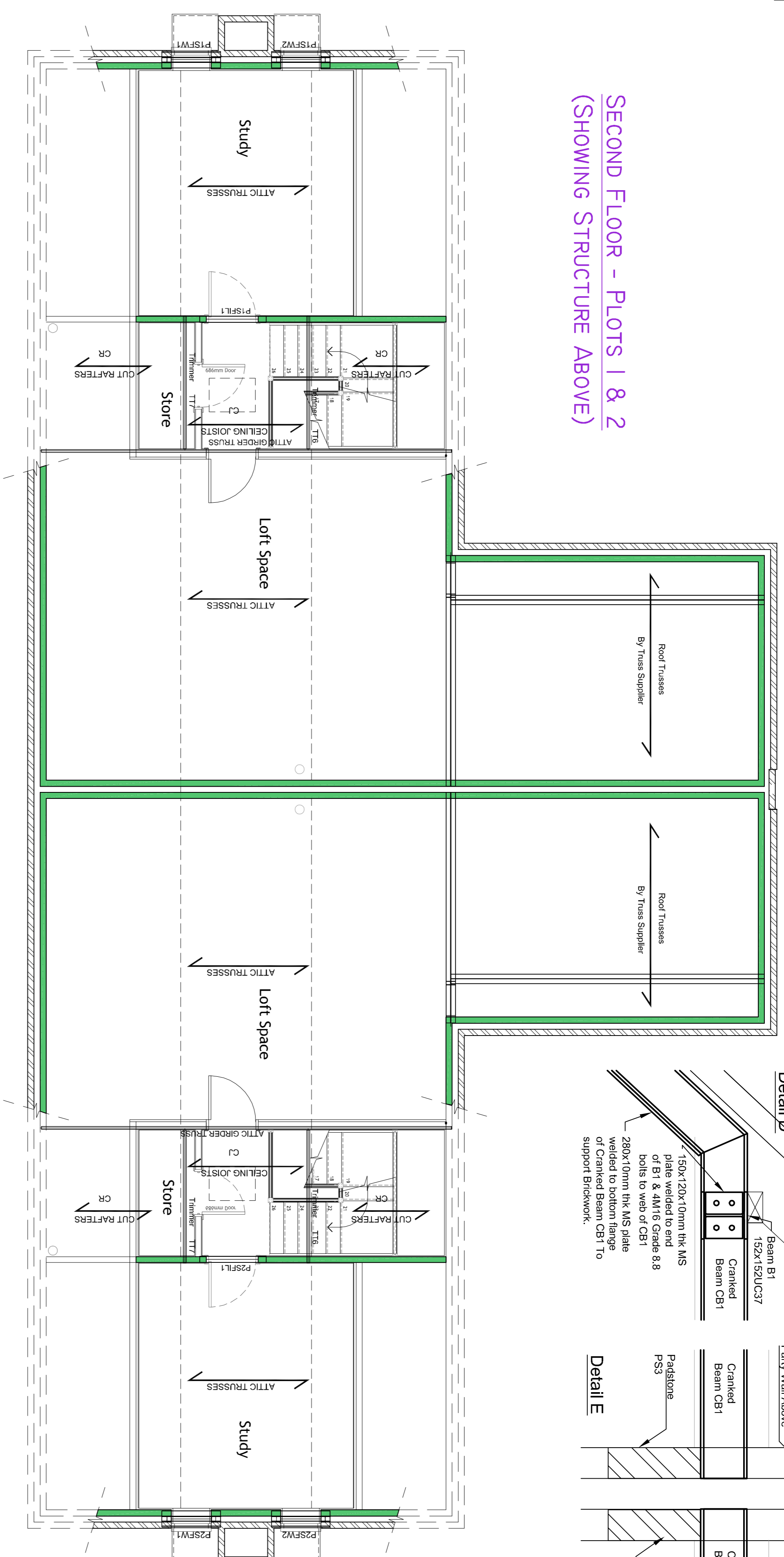
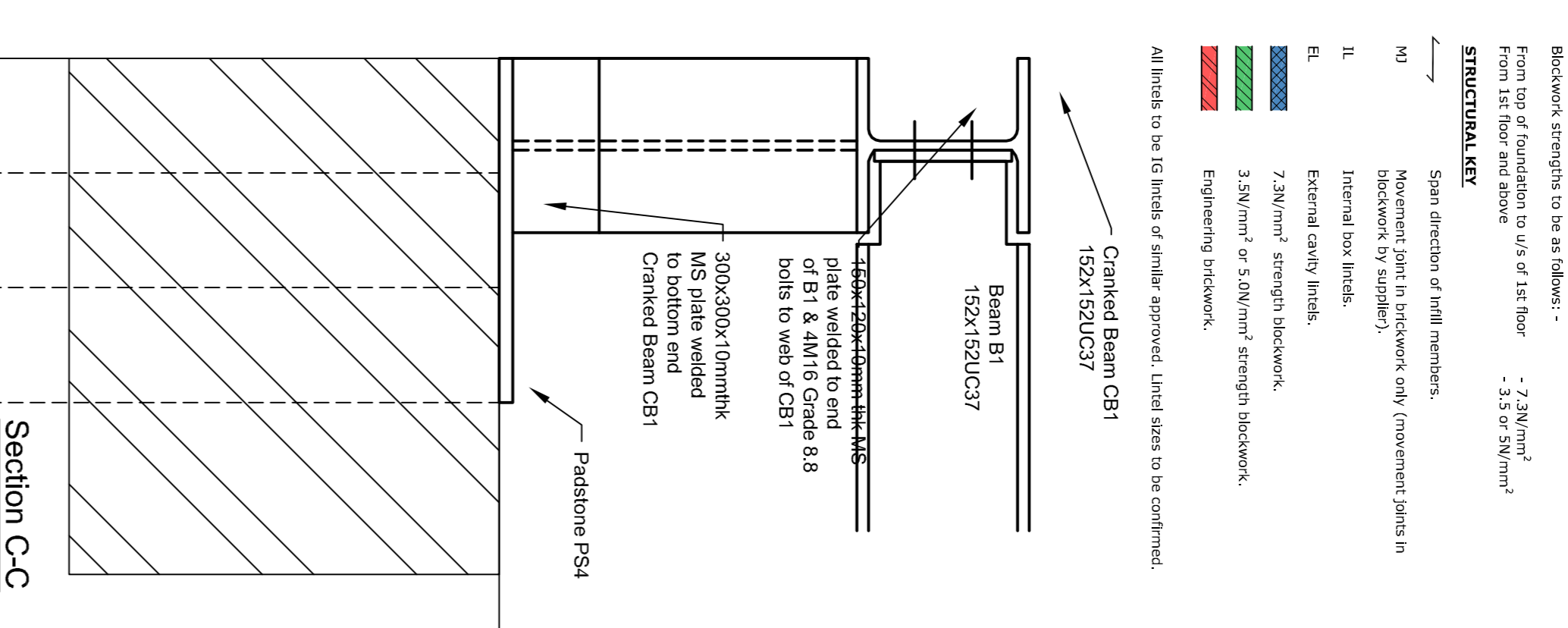
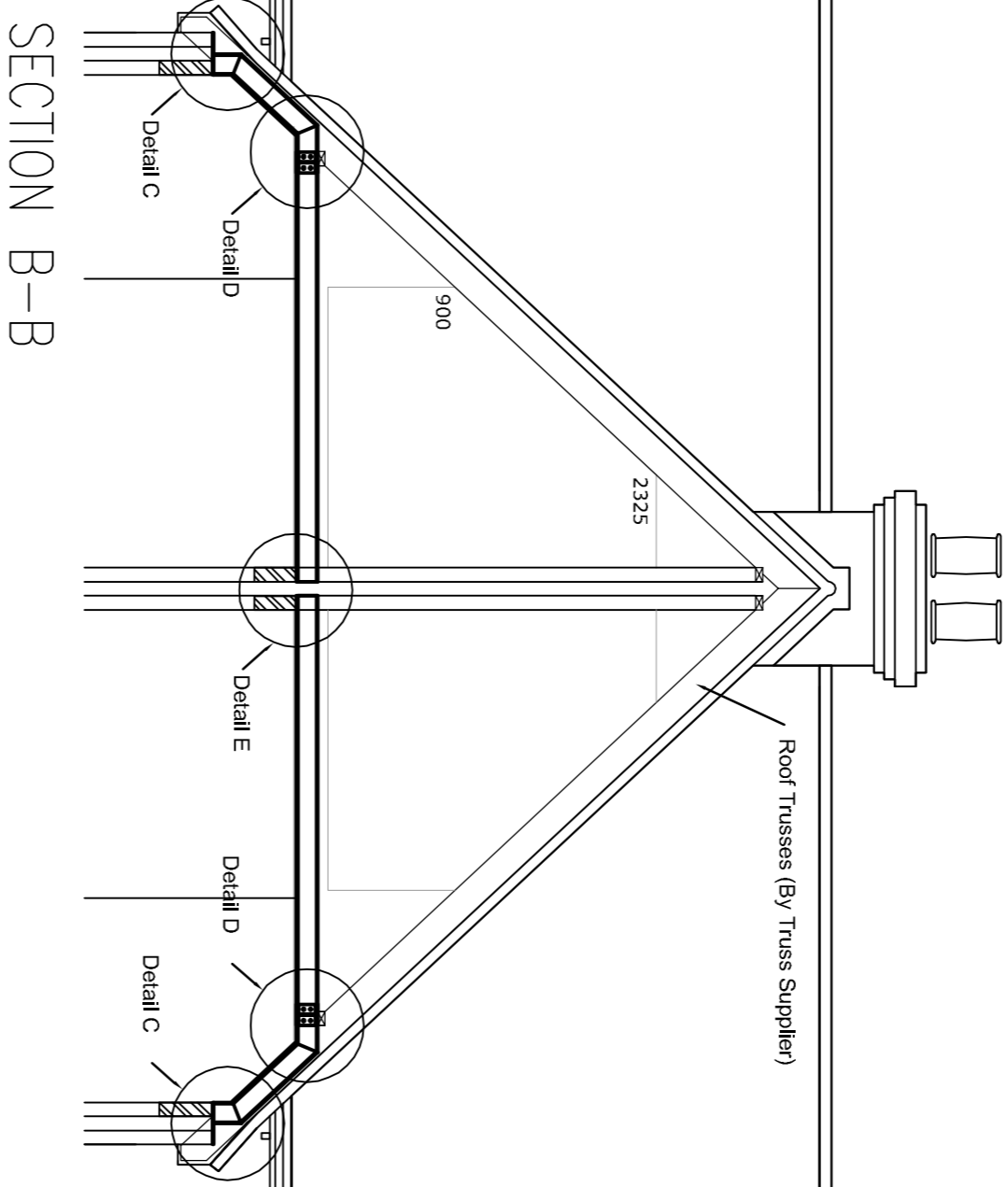
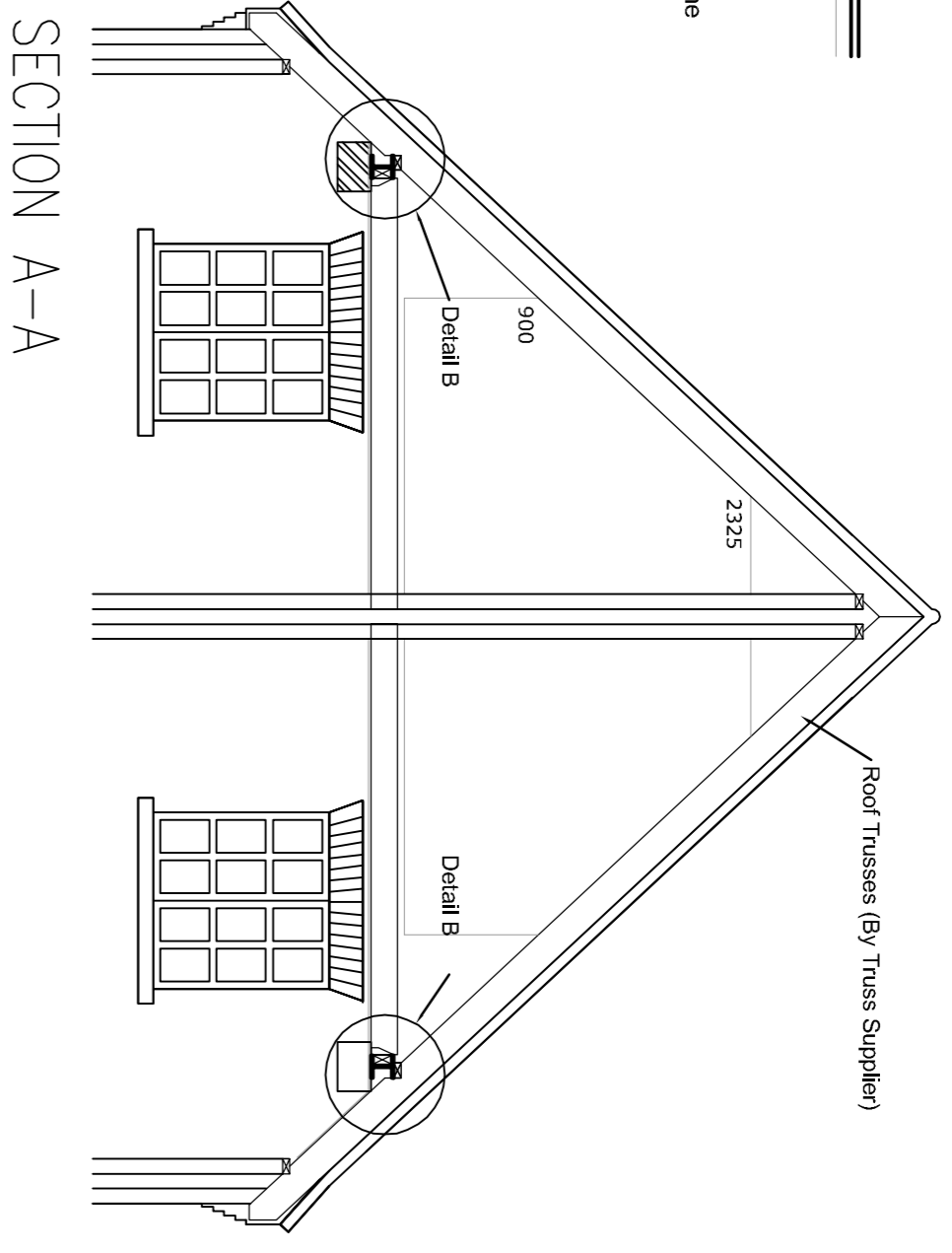
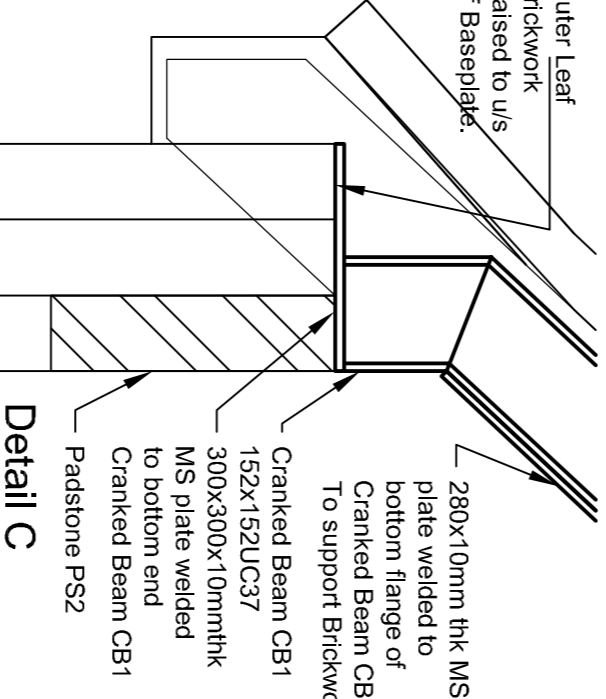
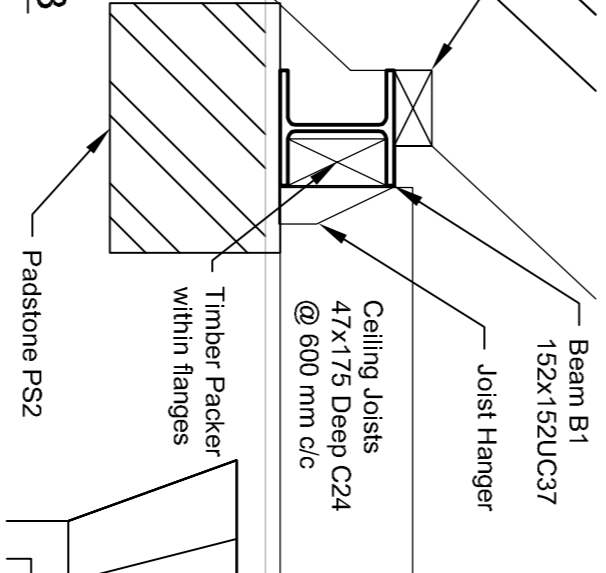
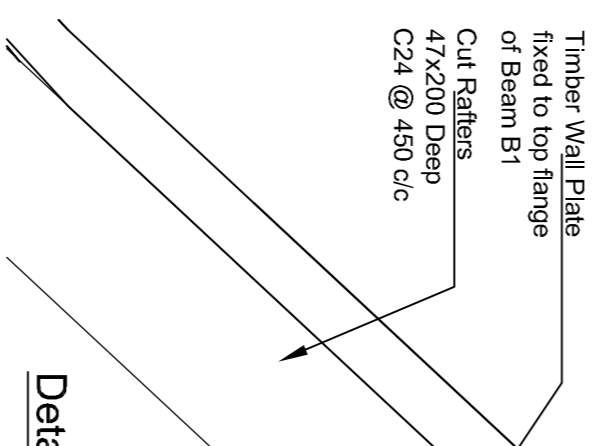
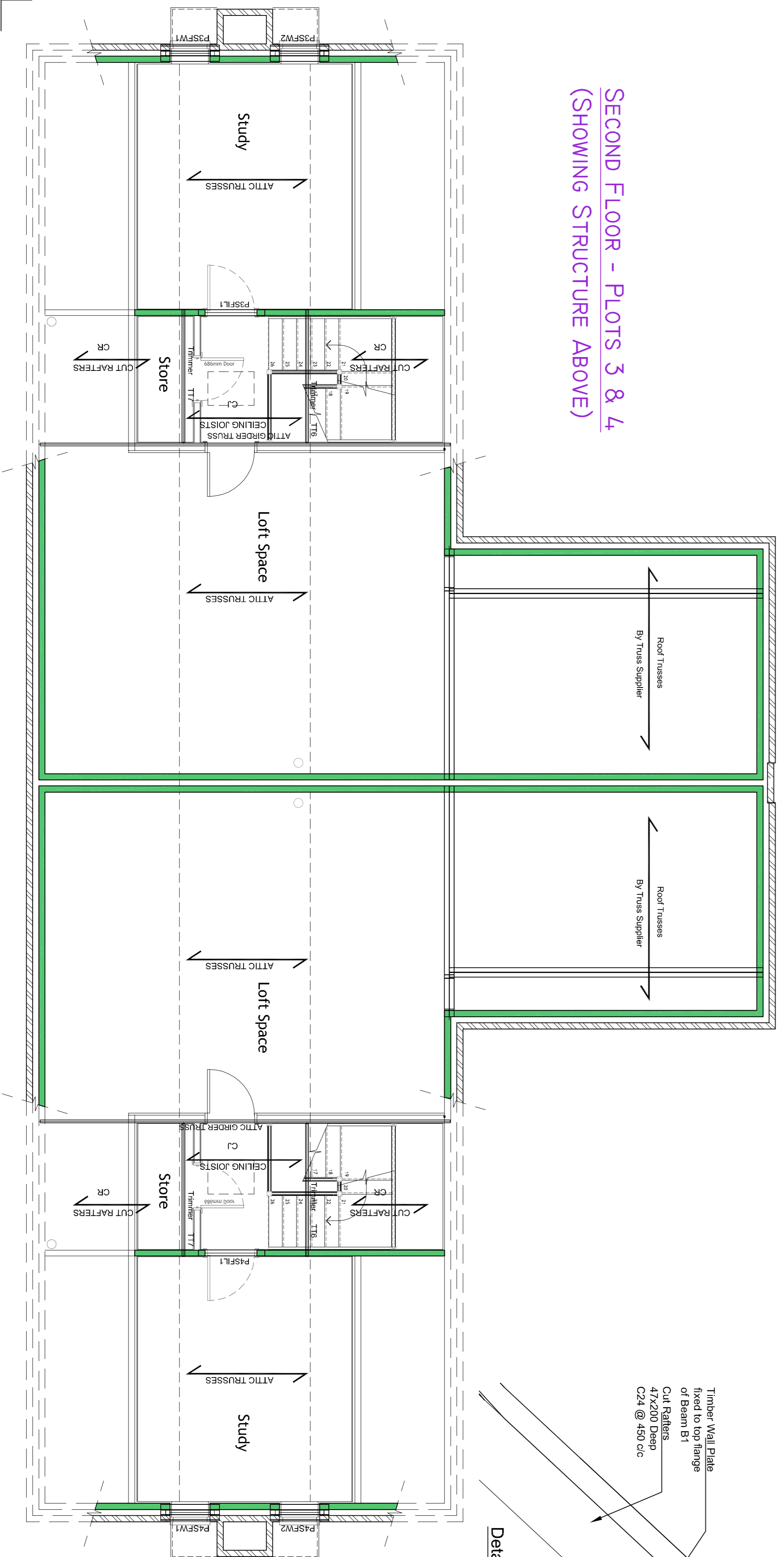


SECOND FLOOR - PLOTS 1 & 2
(SHOWING STRUCTURE ABOVE)



SECOND FLOOR - PLOTS 3 & 4
(SHOWING STRUCTURE ABOVE)



STRUCTURAL NOTES

Please refer to all other design drawings by others. Please refer to dsg, no. 1088/300 for specification and notes relating to structural engineering designs.

Blockwork strengths to be as follows: -

- From top of foundations to 4/5 of 1st floor - 7.2N/m²
- From 1st floor and above - 3.5 or 5N/m²

STRUCTURAL KEY

- Span direction of wall members.
- Movement joint in brickwork only (movement joints in blockwork by supplier).
- Internal box inlays.
- External cavity inlays.
- 7.2N/m² strength blockwork.
- 3.5N/m² or 5.0N/m² strength blockwork.
- Engineering brickwork.

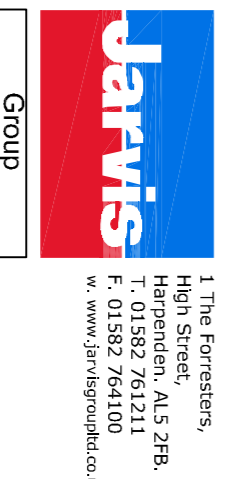
All links to be 16 inches or smaller approved. Lined steel to be confirmed.

Rev Amendment

Rev	Amendment	By	Date
P1	Final Issue	CS7	26/07/12
P2	Second Final Issues Added	CS7	06/08/12
A	MS plate welded to bottom end of cranked beam CB1	CS7	10/09/12
B	Detail A removed and new detail added above Detail A added.	CS7	10/09/12



Stalls 116, Millon Keynes Business Centre, Foulmer Dale, Luton, Bedfordshire, MK14 6ED, Luton, Bedfordshire, MK14 6ED, UK
Tel: 01582 761211 Fax: 01582 761211
www.cistrec.co.uk



1 The Pargreaves, Harpenden, AL3 2HB, UK
Tel: 0457 622222 Fax: 0457 622222
www.jarvis-engineering.co.uk

Client

1 The Pargreaves, Harpenden, AL3 2HB, UK

Drawing

STRUCTURAL ENGINEERING
Typical Sections A-A, B-B & C-C
And Details A, B, C, D & E

Project

Six Tunnel Farm, Gaddesden Row, Hemel Hempstead

Scale 1:50 @ A1 Date 17.10.11 Approver AA

Drawing no. 1183 - 305 C

STATUS: CONSTRUCTION