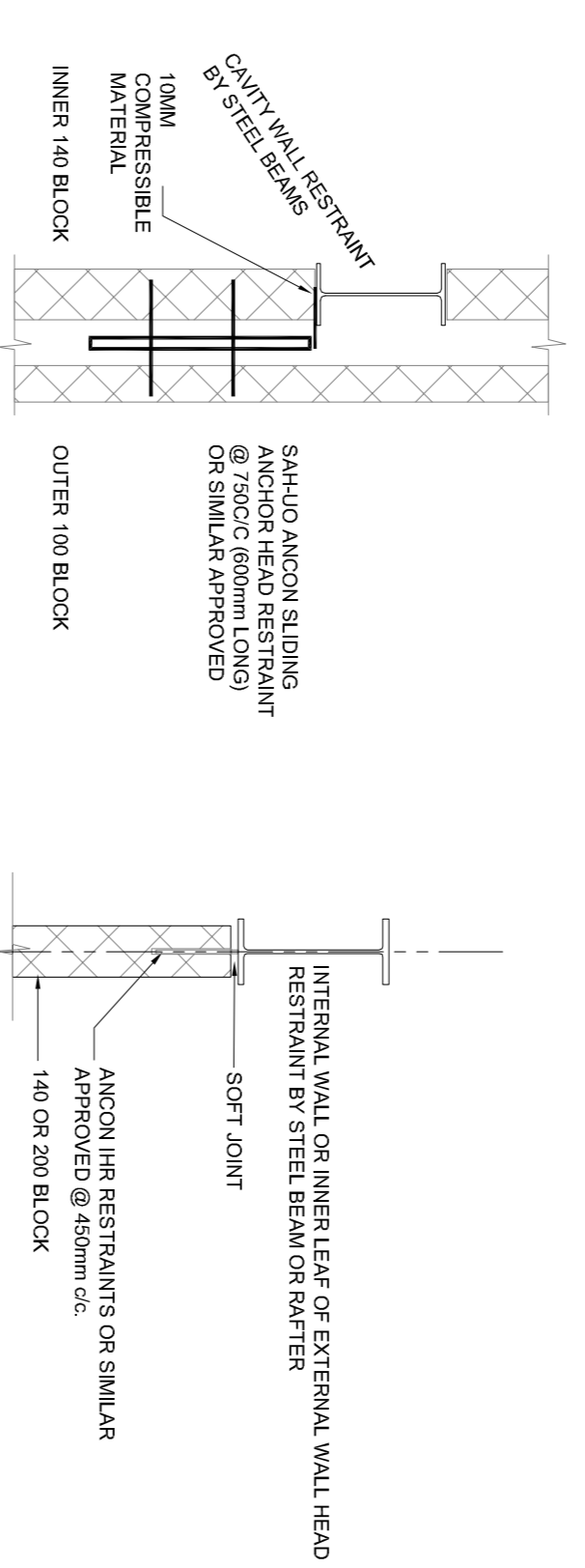
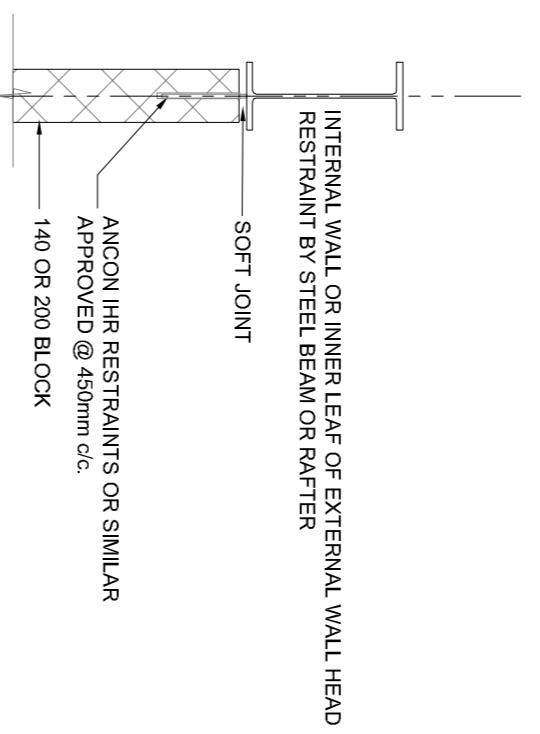


STEEL COLUMNS TYING DETAILS TO MASONRY WALLS



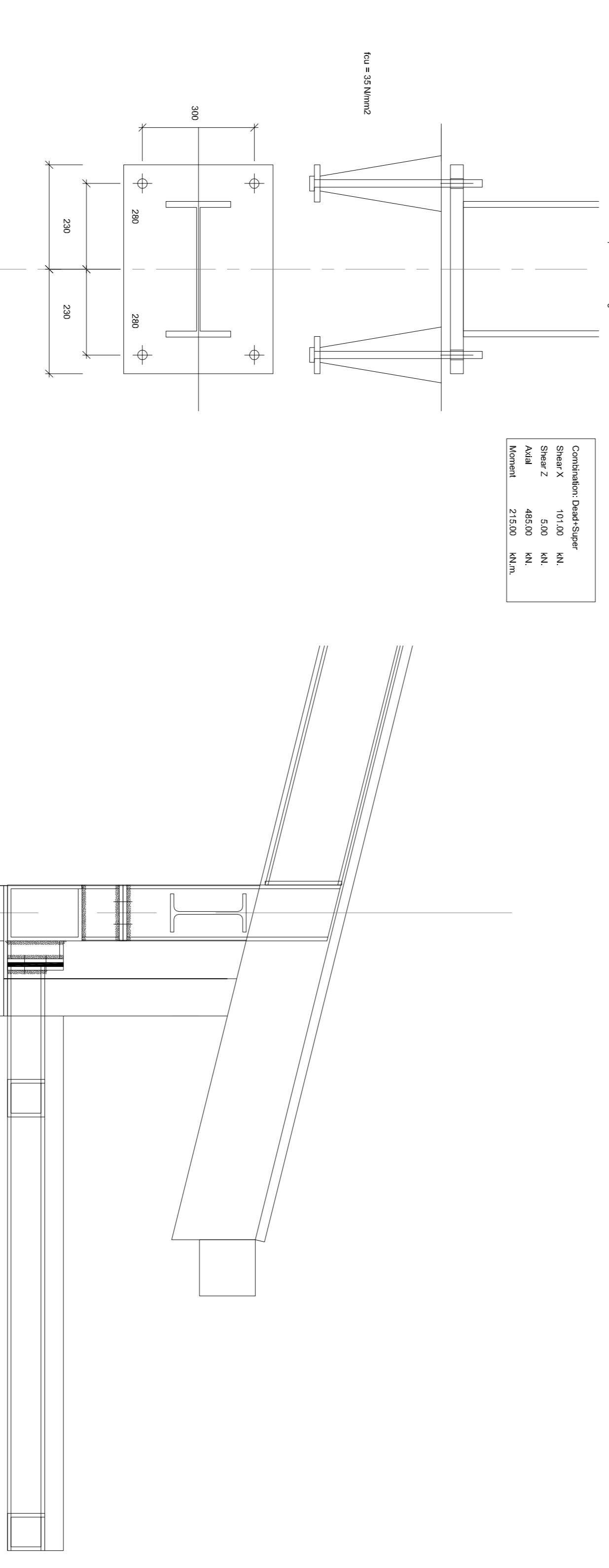
HEAD RESTRAINT - CAVITY WALLS HEAD RESTRAINT - INTERNAL WALLS



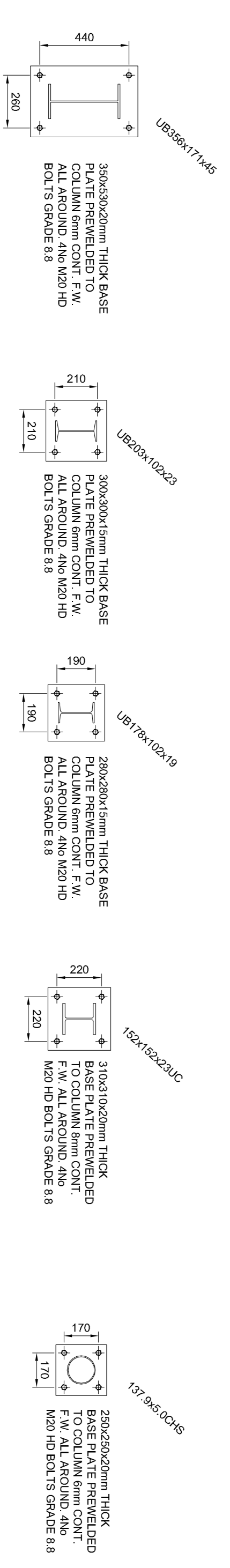
400x178x74UB S355

10 Bolt weld to beam
8 Bolt weld to web
Prepared for bearing

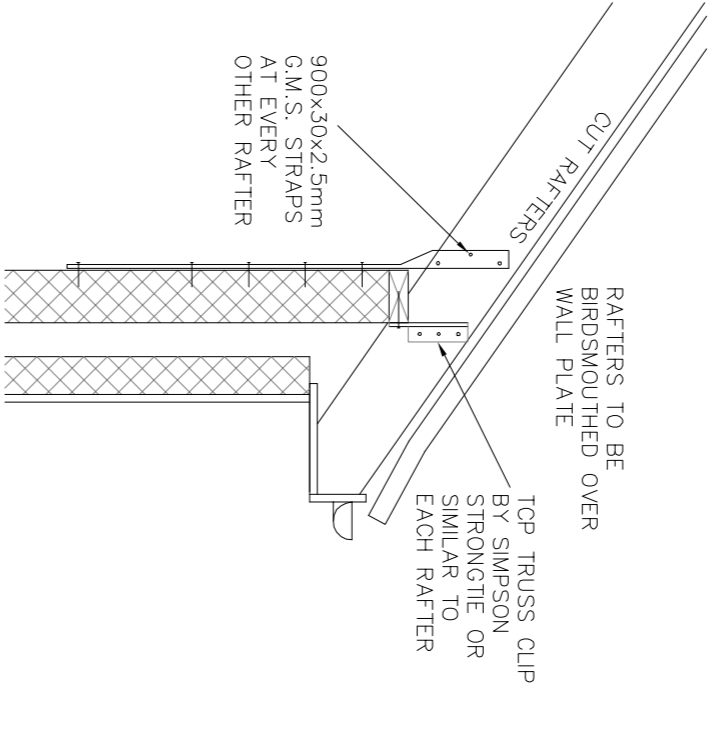
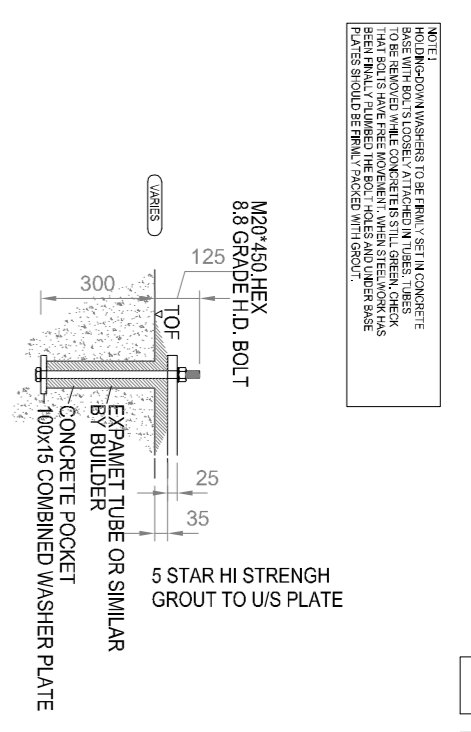
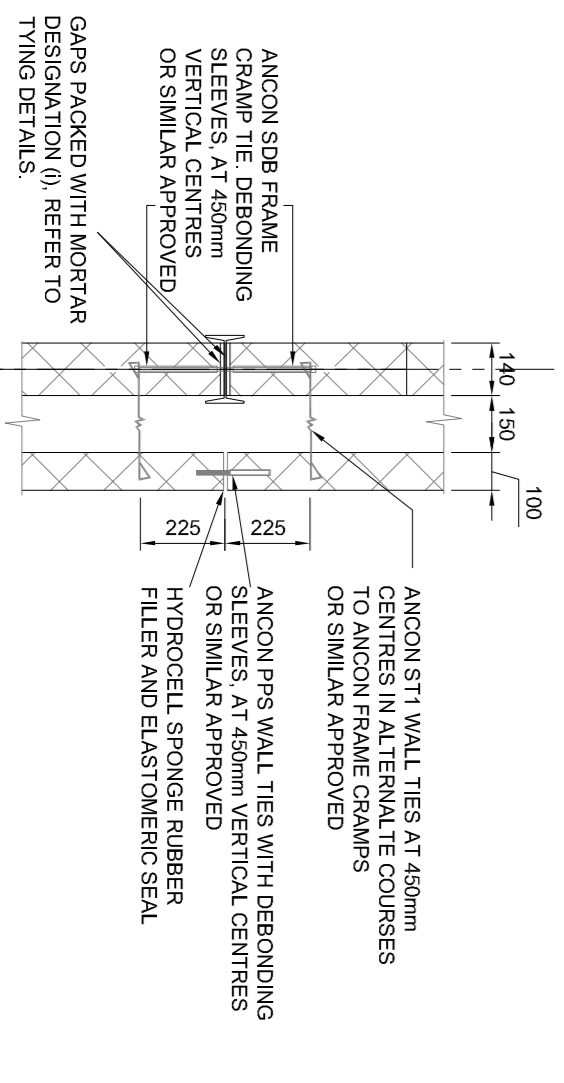
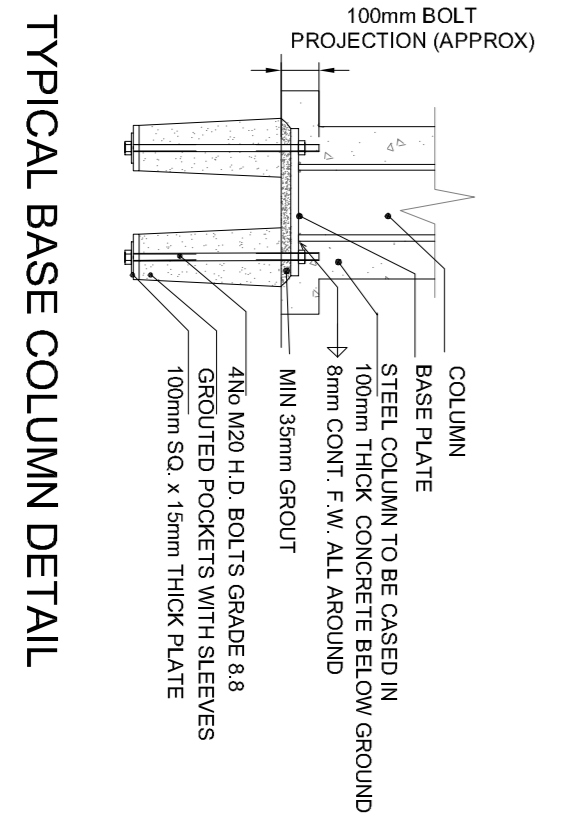
Condition: Dead-Load	
Shear X	101.00 kN
Shear Z	5.00 kN
axial	4463.00 kN
Moment	215.00 kNm



400 x 35 FL x 560 LG S355
M20 Gr8.8 Sq-Hd H.D. Bolts



TYPICAL BASE COLUMN DETAIL



RAFTER STRAPPING DETAILS

Rev	Amendment	By	Date
P1	First Issue, preliminary for comments only.	CS7	10.12.24
P2	Site preliminary for comments only - notes & sections amended.	CS7	10.02.13
P3	Holding down details amended. Blockwork bed reinforcement detail	BE	06.03.13
P4	Column Saw Amended to 400x178x74UB.	CS7	26.03.13



CONTRACTED CIVIL & STRUCTURAL ENGINEERING CONTRACTORS LIMITED

Client: SUN CONTRACTORS LTD
298 Baldoon Rd, London NW6 4BT
T: 020 7316 1850 F: 020 7316 1892
Email: info@suncollectors.co.uk

Drawing: STRUCTURAL ENGINEERING
& DETAILS

Project: MKKA, Coffers Hill, Milton Keynes.

Scale: as noted @ A1
Drawing no: 1127-301 P4