

NOTES

CDM REGULATIONS

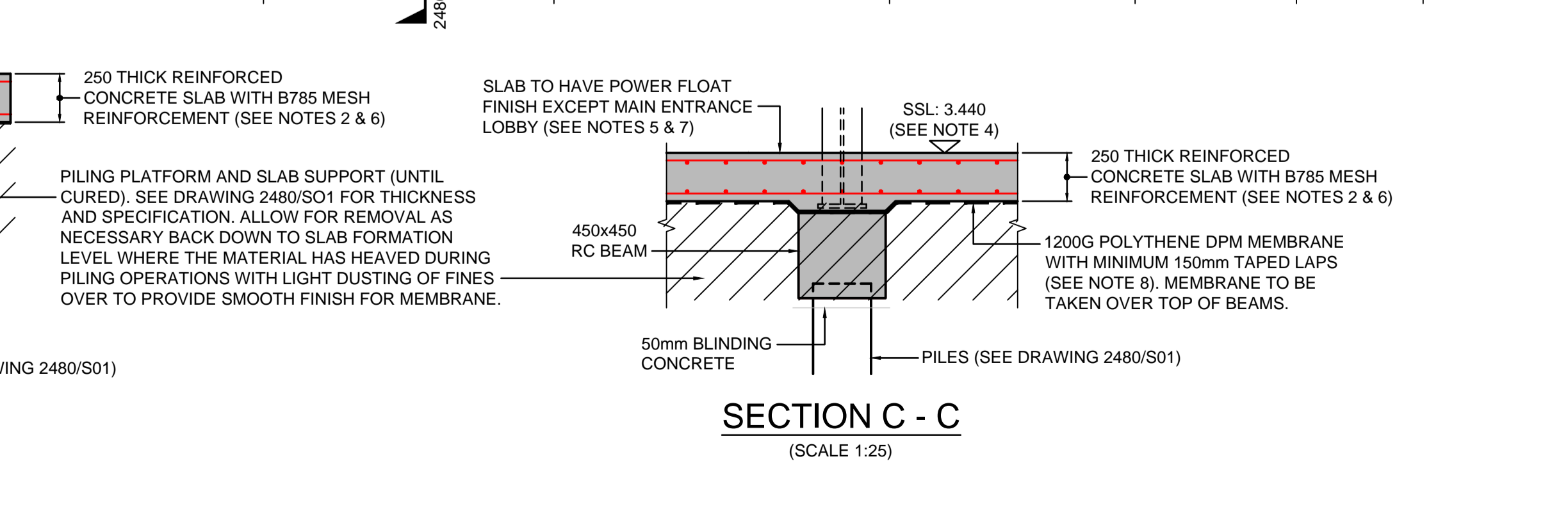
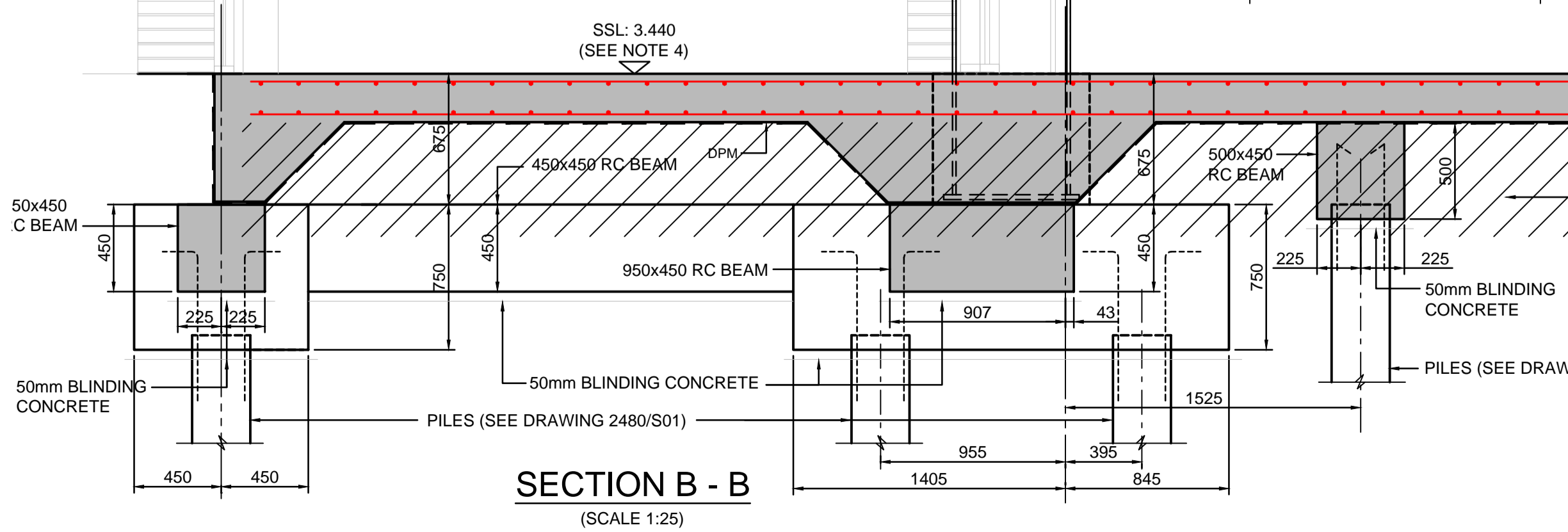
NO DRAWING OR OTHER DESIGN INFORMATION SHOULD BE READ WITHOUT REFERENCE TO THE HEALTH AND SAFETY PLAN.

- THIS DRAWING IS TO BE READ IN CONJUNCTION WITH ALL RELEVANT ARCHITECTS, ENGINEERS AND SPECIALIST SUBCONTRACTORS DRAWINGS AND SPECIFICATIONS. ANY DISCREPANCIES BETWEEN THESE DRAWINGS ARE TO BE REPORTED IMMEDIATELY.
- CONCRETE TO BE DESIGNATED MIX RC35 STRENGTH CLASS C28/35. MAXIMUM AGGREGATE SIZE 20mm. ALL TO BS8500-2 2006. BLINDING CONCRETE TO BE DESIGNATED MIX GEN 2. STRENGTH CLASS C12/15 TO BS8500-2 2002.
- 50mm BLINDING CONCRETE TO BE PLACED UNDER ALL GROUND BEAMS AND PILE CAPS.
- ALL PILE CAPS AND GROUND BEAMS TO BE SYMMETRICAL ABOUT GRID LINES (OR CENTRE LINES) UNLESS NOTED OTHERWISE ON PLAN.
- TOPS OF ALL PILE CAPS AND GROUND BEAMS AROUND PERIMETER TO BE AT +2.765 UNLESS NOTED OTHERWISE ON PLAN. TOPS OF INTERNAL GROUND BEAMS SUPPORTING GROUND FLOOR SLAB TO BE AT 3.190 UNLESS OTHERWISE NOTED ON PLAN.

LEGEND

- 1B2 450x600 GROUND BEAM REFERENCE AND SIZE (DxW)
- PC1 PILE CAP REFERENCE (REFER TO SCHEDULE BELOW)

PILE CAP SCHEDULE			
PILE CAP REF.	No. OF	SIZE (LxWxD)	LEVELS (U.N.O. ON PLAN)
PC1	20	2250x750x750	(TOP LEVEL) TL: 2.765 UL: 2.015 (UNDERSIDE LEVEL)
PC2	9	2250x1000x750	TL: 2.765 UL: 2.015
PC3	8	900x900x750	TL: 2.765 UL: 2.015



CONSTRUCTION

Revision	Date	Description
C2	01/06/09	POSITION OF BEAMS SUPPORTING AMENITY BLOCK INTERNAL STANCHIONS FINALISED
C1	13/05/09	CONSTRUCTION ISSUE
T2	24/10/08	UPDATED
T1	16/10/08	TENDER ISSUE
P1	11/09/08	PRELIMINARY ISSUE



WICKES
WEST STREET, BOSTON

GENERAL ARRANGEMENT OF
FOUNDATIONS

Design: AA Drawn: SF
Scale: 1:100 @ A1, 1:200 @ A3
Date: 11th September 2008
Dwg No: 2480/002 Rev: C2