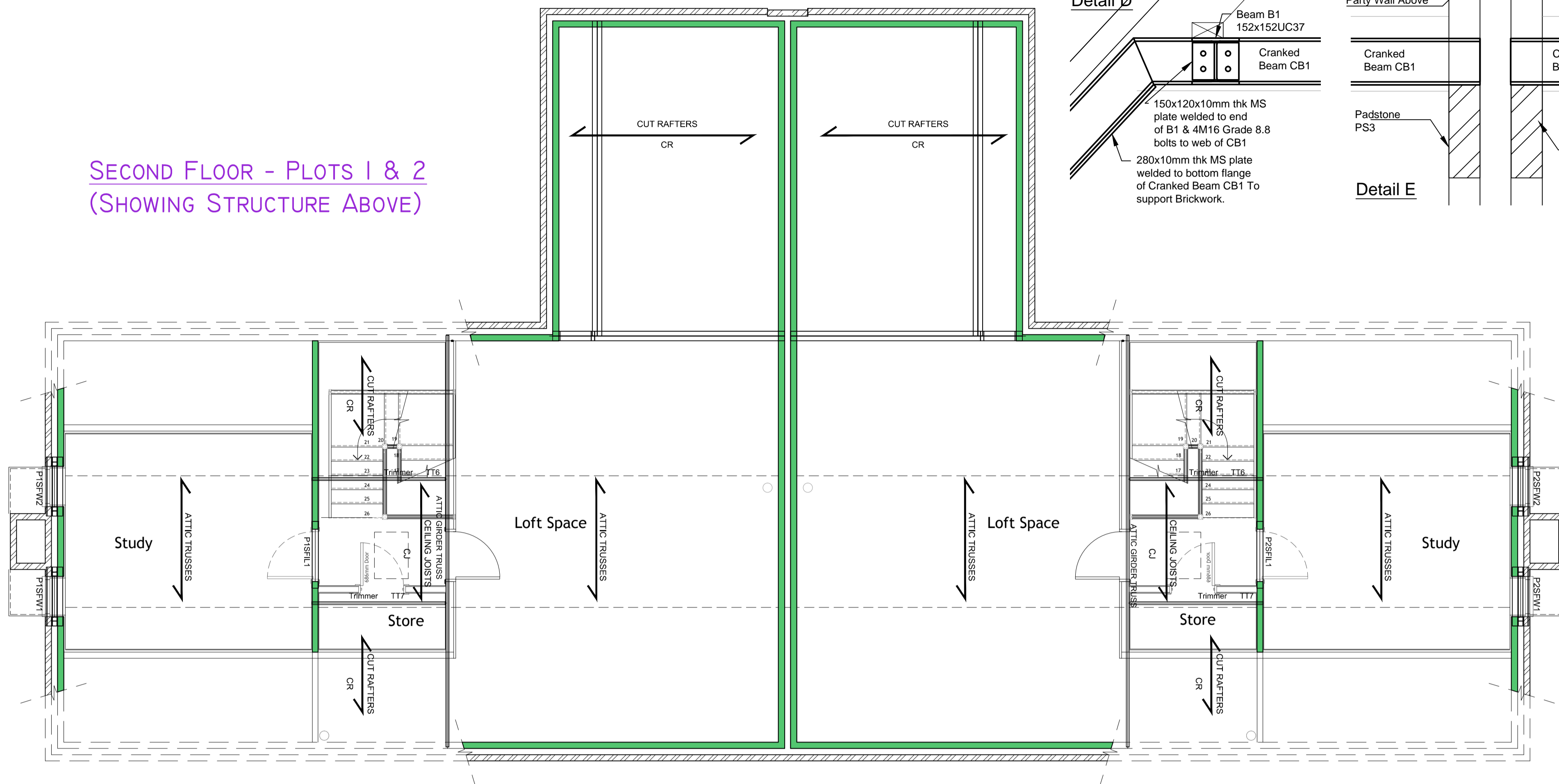
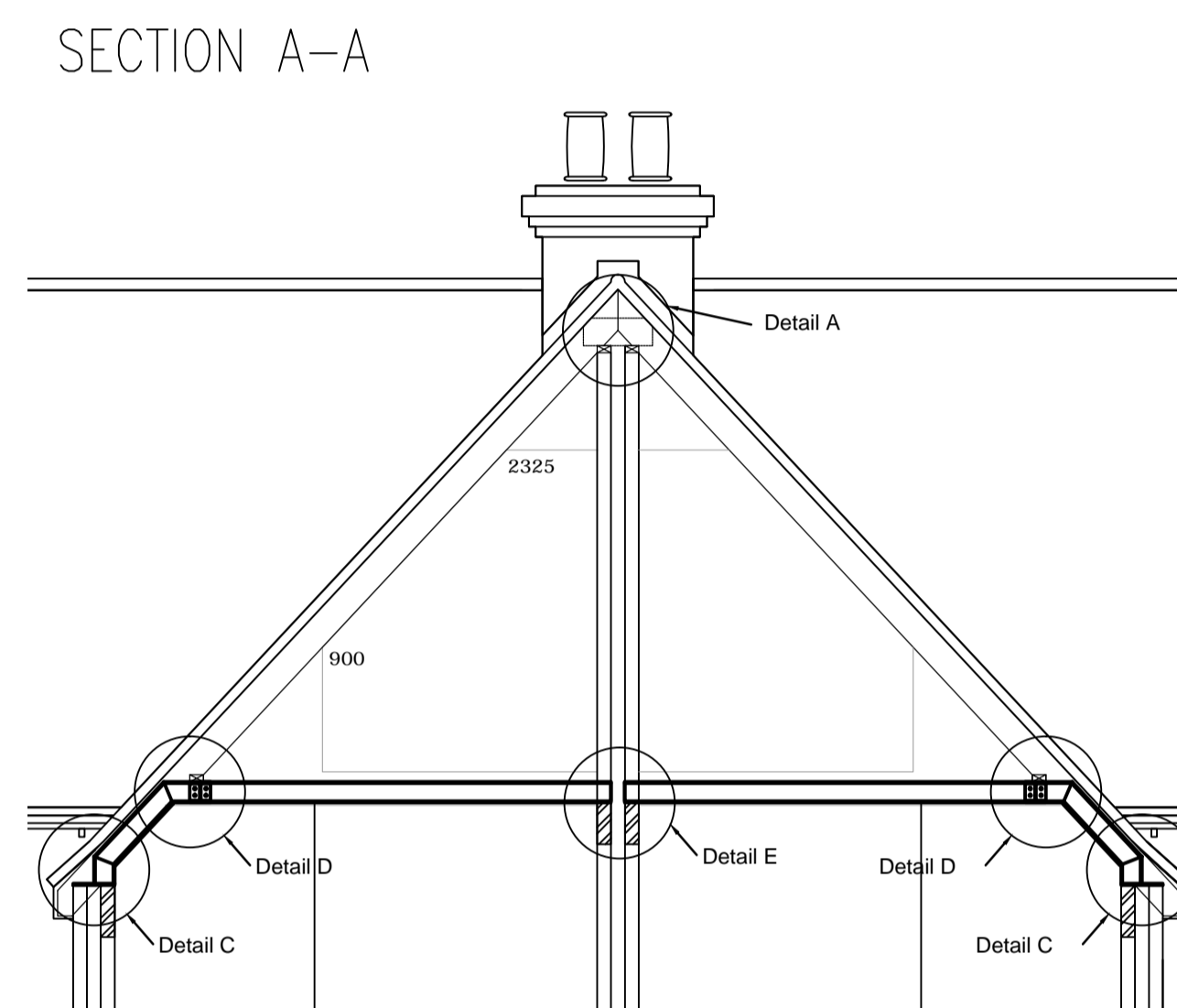
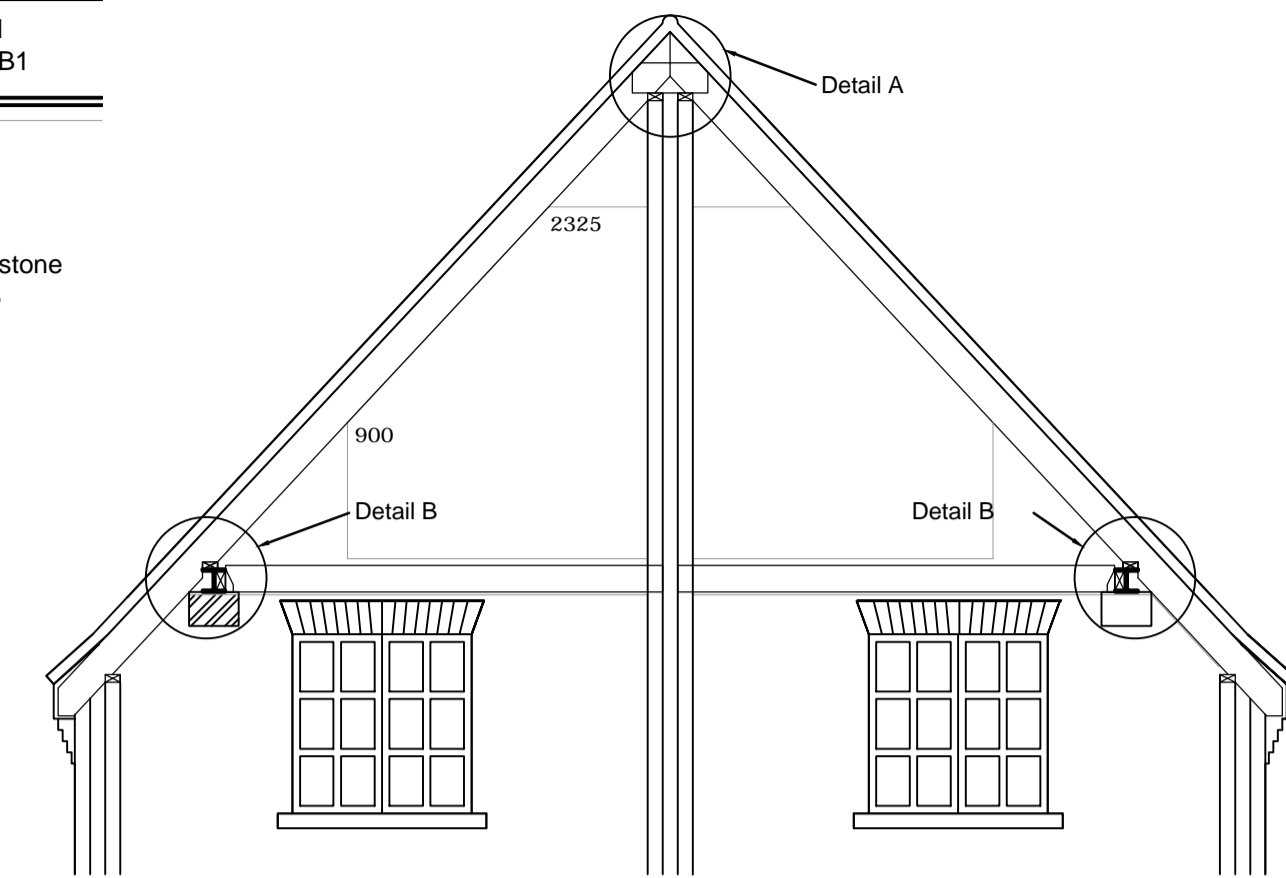
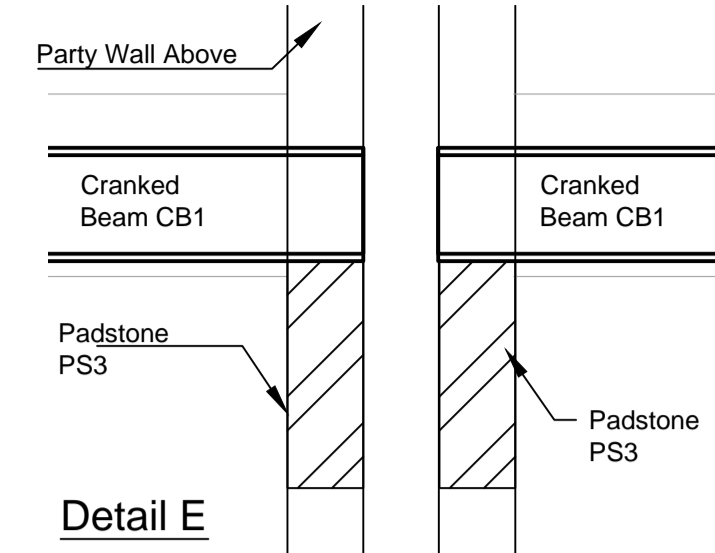
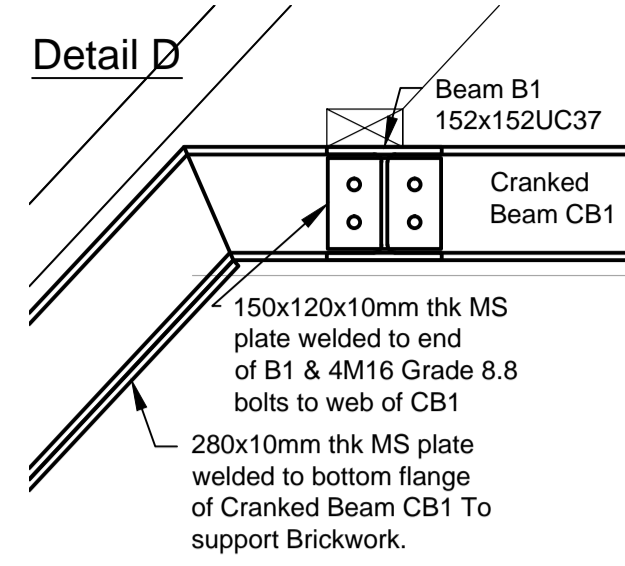
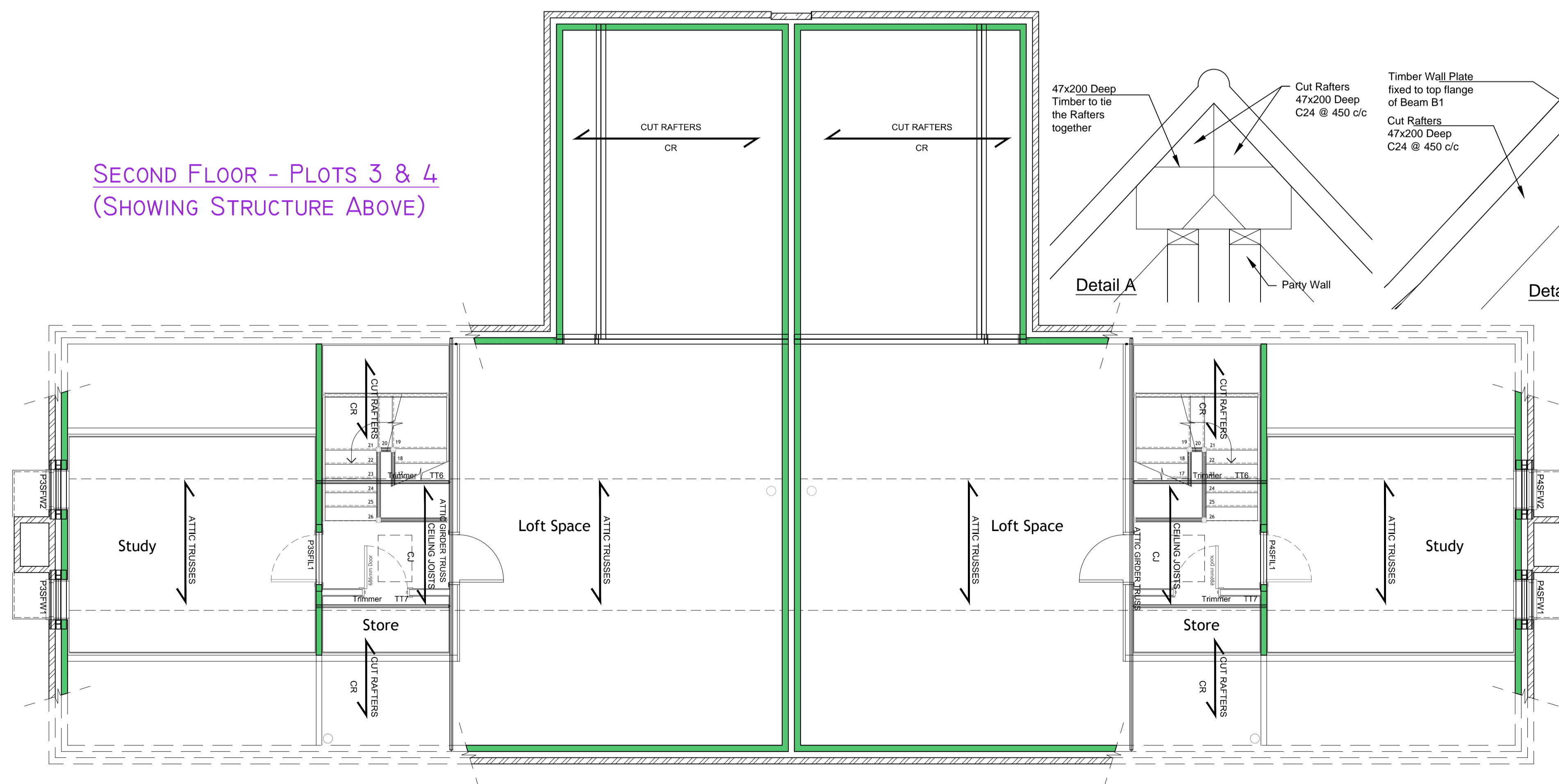


**SECOND FLOOR - PLOTS 1 & 2
(SHOWING STRUCTURE ABOVE)**



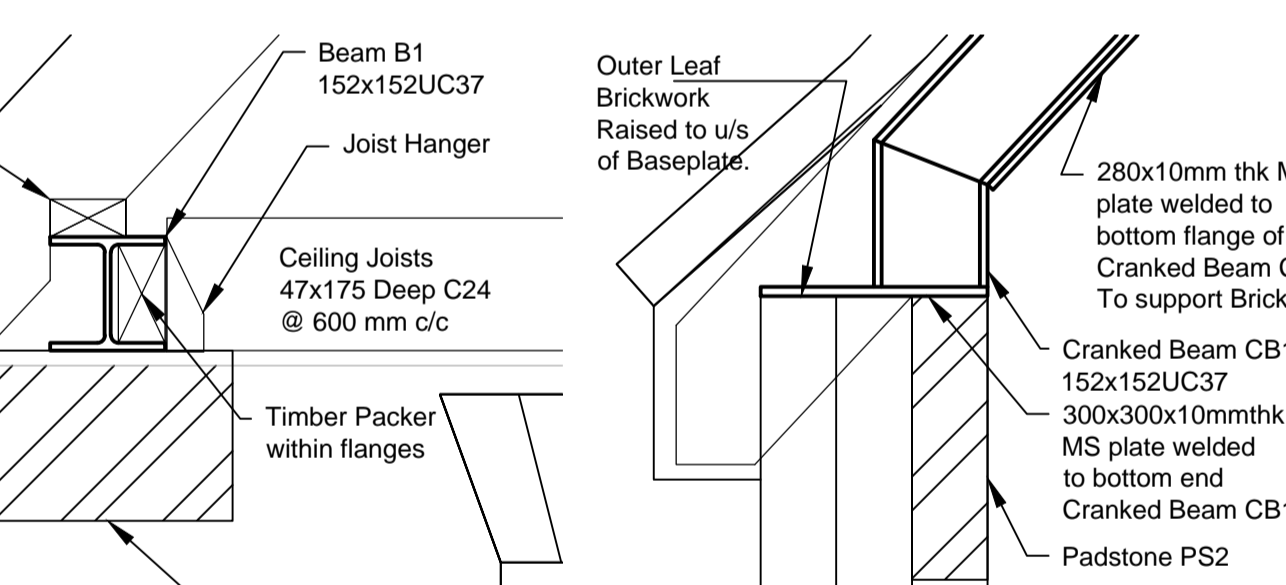
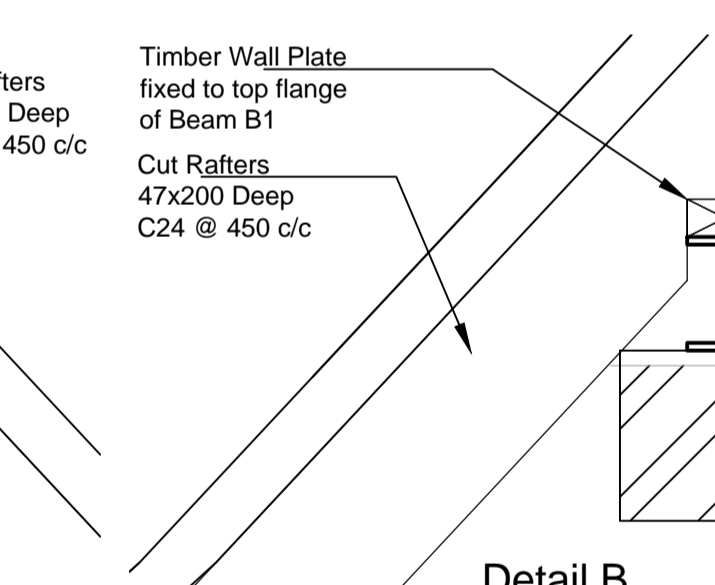
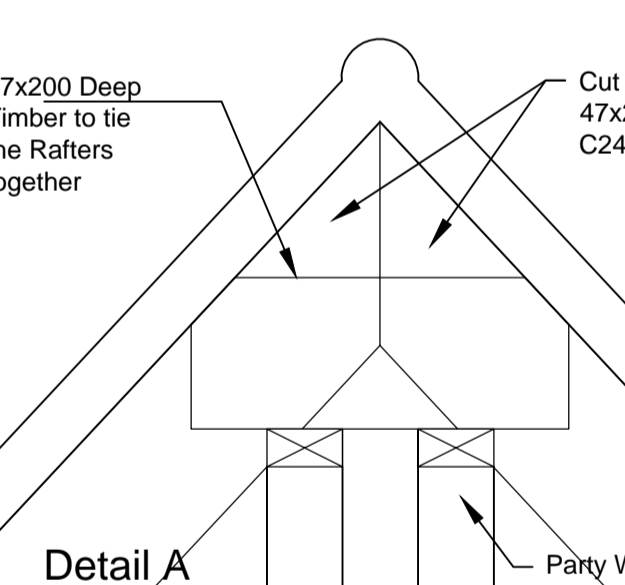
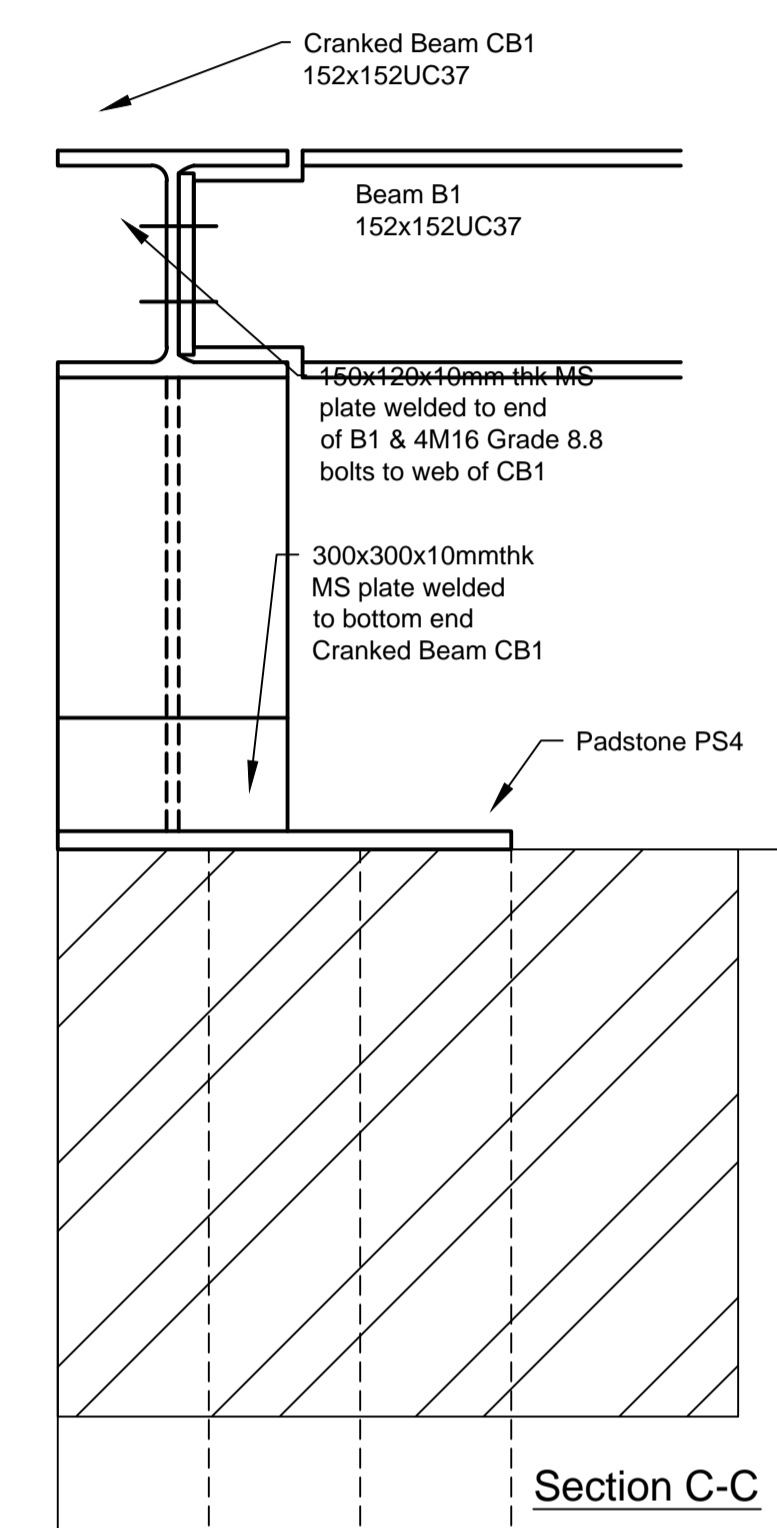
**SECOND FLOOR - PLOTS 3 & 4
(SHOWING STRUCTURE ABOVE)**



STRUCTURAL NOTES
Please refer to all other design drawings by others.
Please refer to drg. no. 1088/300 for specification and notes relating to structural engineering designs.
Blockwork strengths to be as follows:-
From top of foundation to u/s of 1st floor - 7.3N/mm²
From 1st floor and above - 3.5 or 5N/mm²

STRUCTURAL KEY
Span direction of infill members.
MJ Movement joint in brickwork only (movement joints in blockwork by supplier).
IL Internal box lintels.
EL External cavity lintels.
7.3N/mm² strength blockwork.
3.5N/mm² or 5.0N/mm² strength blockwork.
Engineering brickwork.

All lintels to be IG lintels of similar approved. Lintel sizes to be confirmed.



Rev	Amendment	By	Date
P1	First issue.	CST	26.07.12
P2	Second Floor Layouts Added.	CST	06.08.12
A	Construction	CST	10.09.12
B	Attic Girder Trusses & Trimmers added.	CST	15.09.12

CISTEC
CHARTERED CIVIL & STRUCTURAL ENGINEERING CONSULTANTS

Suite 116, Milton Keynes Business Centre, Foxhunter Drive, Milton Keynes, MK14 6GD.
T: 01582 764100 F: 01582 764100 www.cistec.net e: info@cistec.net

Jarvis Group
1 The Foresters, High Street, Harpenden, AL5 2FB.
T: 01582 764111 F: 01582 764100 www.jarvisgrouppld.co.uk

Drawing: **STRUCTURAL ENGINEERING**
Typical Sections A-A, B-B & C-C
And Details A, B, C, D & E.
Project: Six Tunnel Farm, Gaddesden Row, Hemel Hempstead
Scale: 1:50 @ A1 Date: 17.10.11 Approved: AA
Drawing no. **1183 - 305 B**

© The enclosed drawing and design remains the copyright of CISTEC Design LLP unless or until agreement is made in writing. This information may not be copied, distributed or changed in any form without prior written consent.

STATUS: CONSTRUCTION