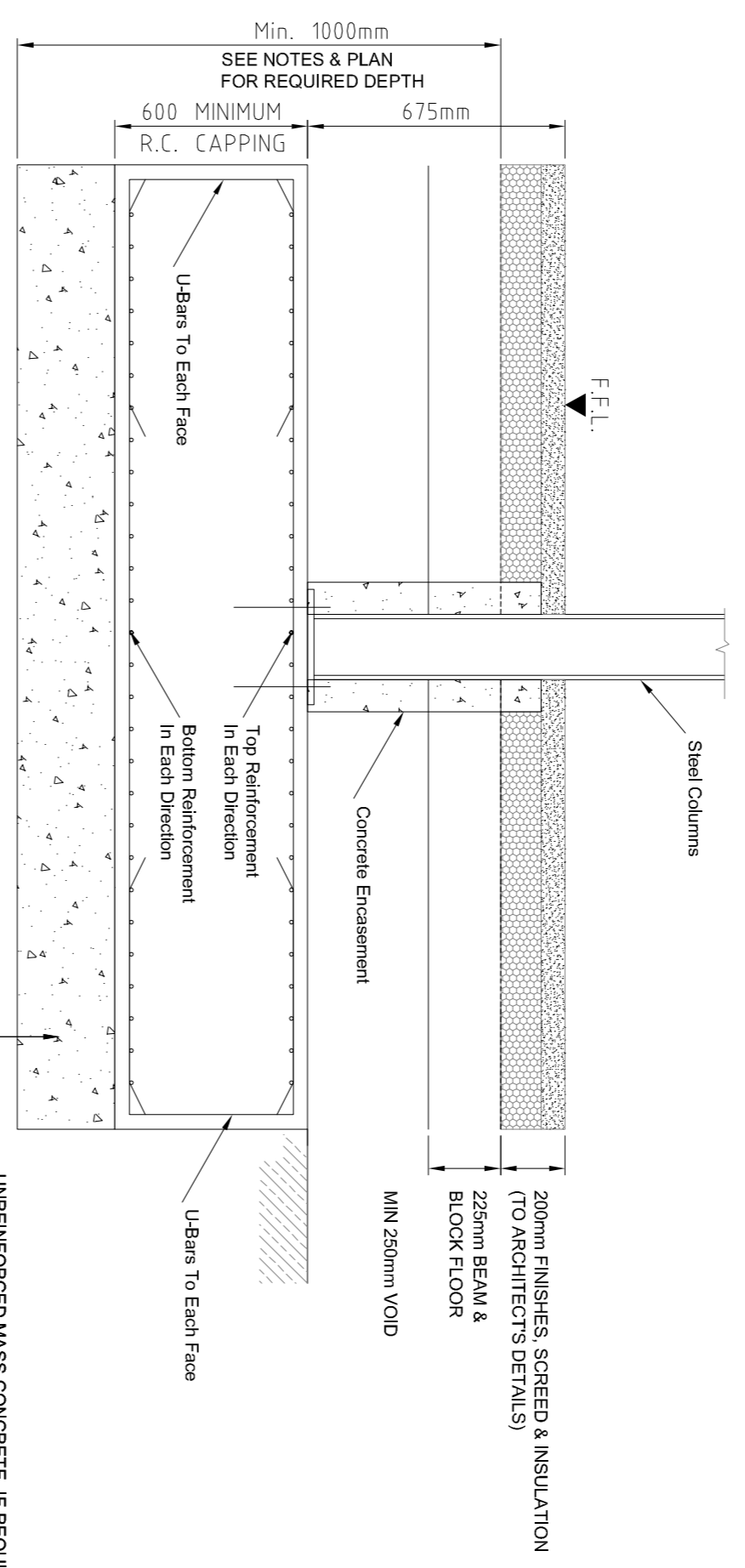
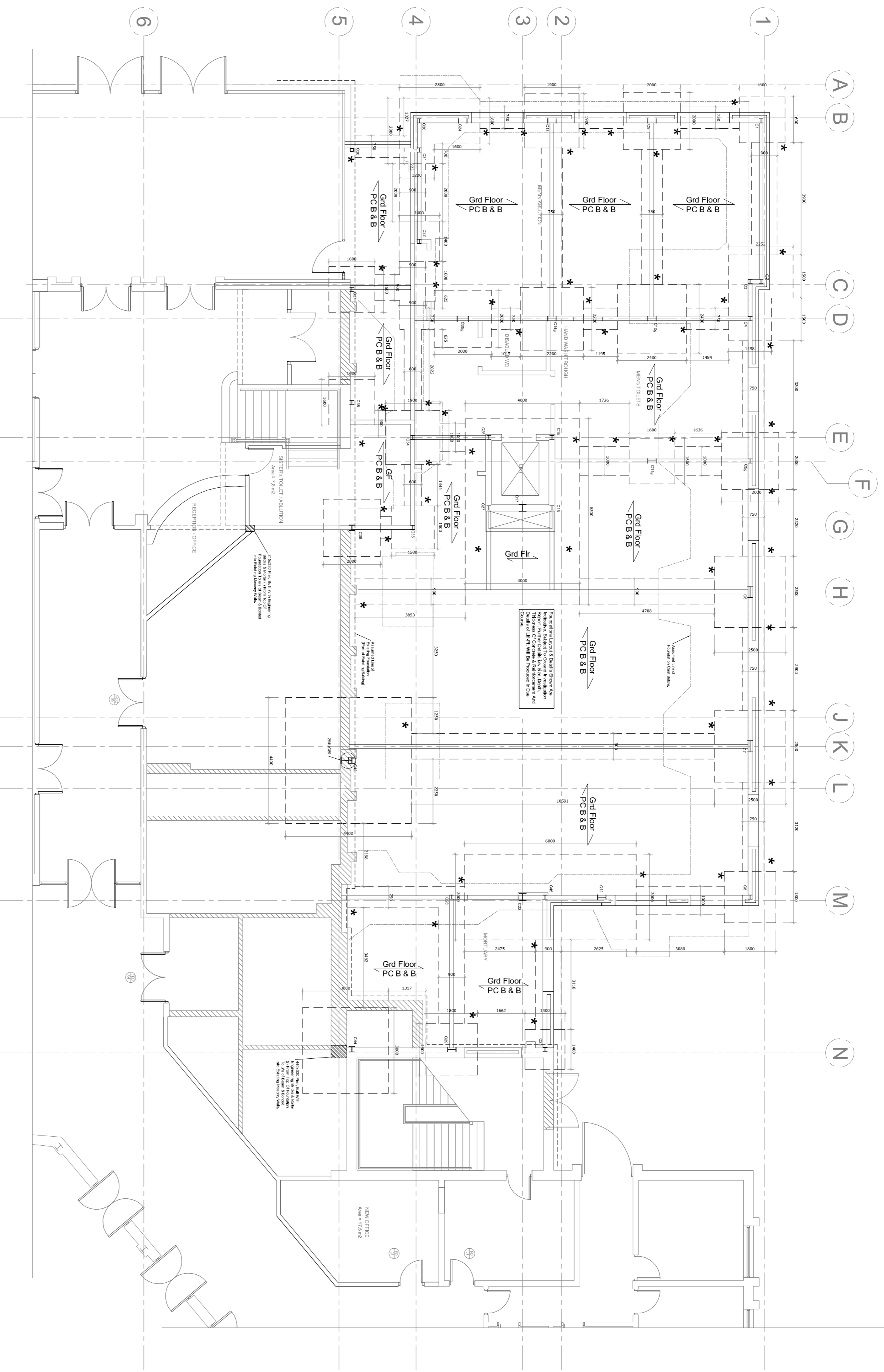
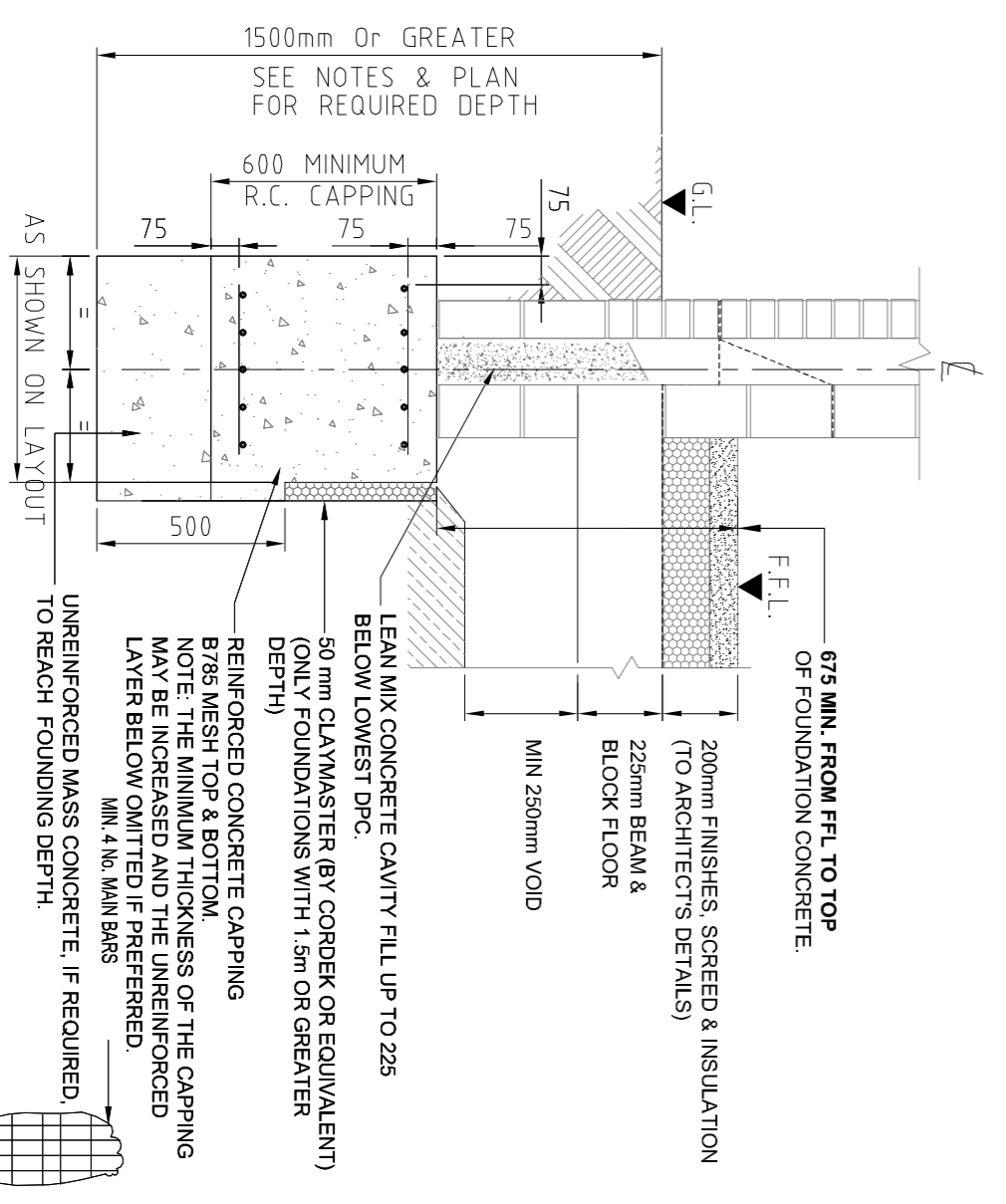


NOTES
 FOR GENERAL NOTES, TYPICAL SECTIONS AND DETAILS REFER TO
 DRAWING 1280 - 300.

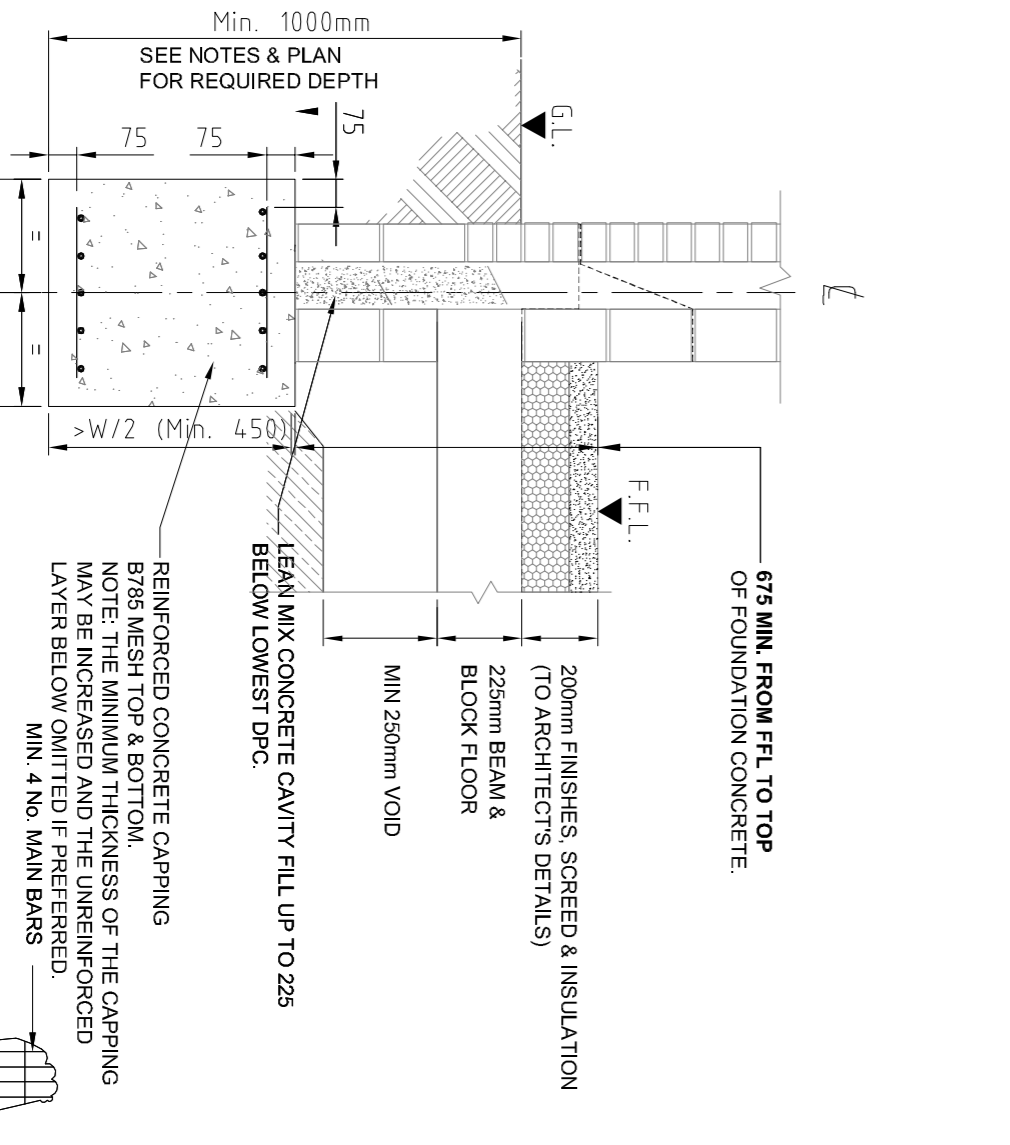
PROPOSED GROUND FLOOR PLAN
 (Showing Ground Floor & Indicative Foundation Layout)
 NEW AND EXISTING FOUNDATIONS AND DRAINAGE TO BE FINALISED.
 GROUND FLOOR TO BE SUSPENDED 225mm DEEP PC BEAM & BLOCKS.
 * = DOWEL BARS AT THE JUNCTION EXISTING & NEW FOUNDATIONS AND PAD & TRENCH-FILLS TRAP FOUNDATIONS.



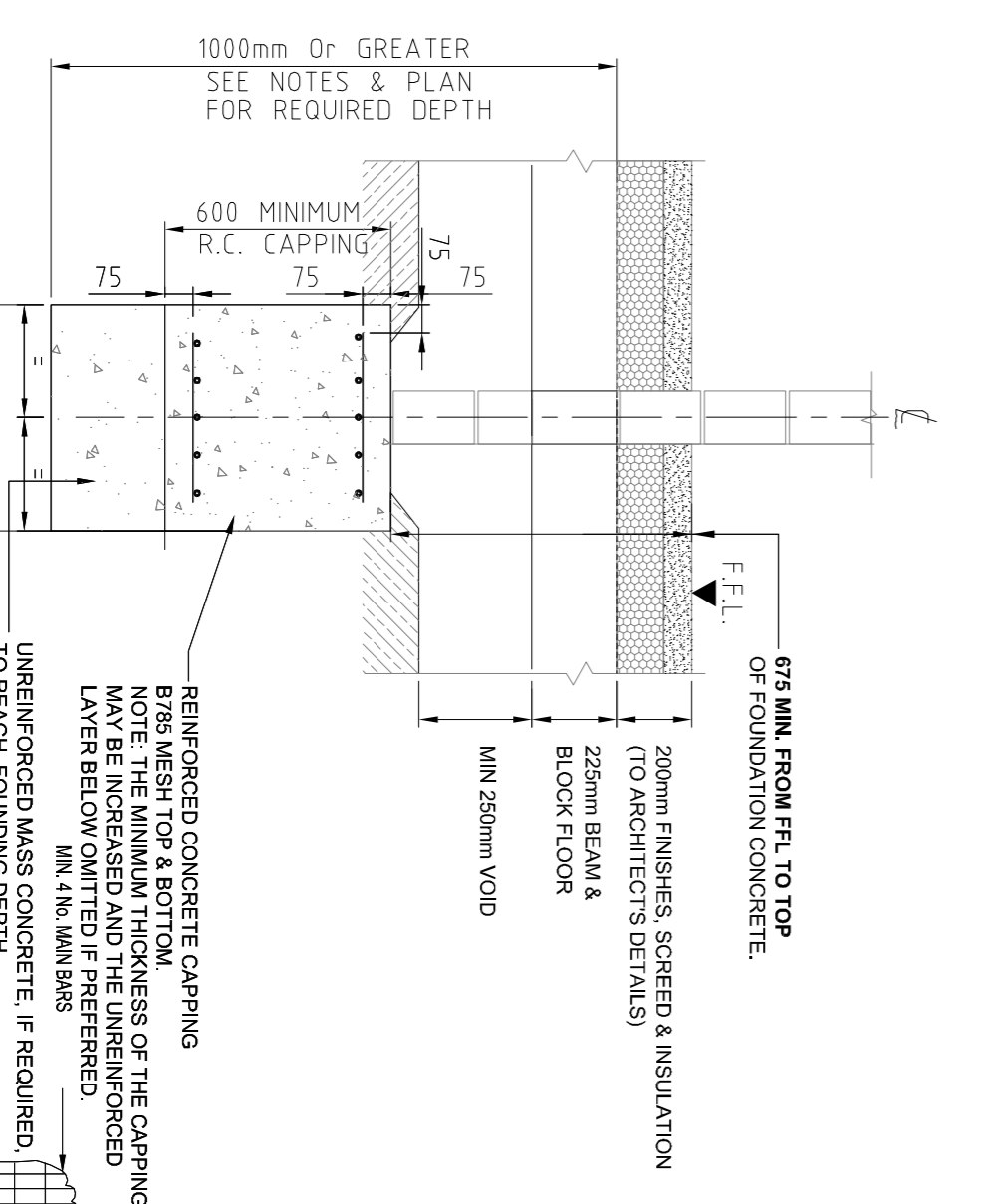
TYPICAL CROSS-SECTION OF A PAD FOUNDATION
 SCALE 1:20



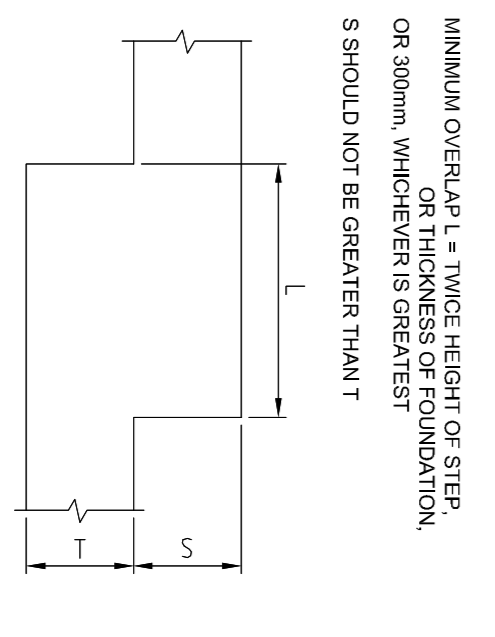
EXTERNAL WALL FOUNDATION
 WHERE CLAYMASHER REQUIRED
 SCALE 1:20



EXTERNAL WALL FOUNDATION
 SCALE 1:20



TYPICAL INTERNAL WALL FOUNDATION
 SCALE 1:20



STEPPED FOUNDATION DETAIL
 SCALE N.T.S.

Rev	Amendment	By	Date
P1	Final Issue, preliminary for comments only.	CS1	24/01/13
P2	For Tender & comments only.	CS1	02/01/14

CI STRUC
 CONSULTING CIVIL & STRUCTURAL ENGINEERING CONTRACTORS LIMITED

Scale: 1:21, Millon Keynes Business Centre, Foxwater Dale,
 Lutterworth, Milton Keynes, MK14 6ED,
 01753 606555 01753 410333 www.ci-struct.com email@ci-struct.com

Client
 Hounslow Jamia Mosque

Drawing
 STRUCTURAL ENGINEERING
 GROUND FLOOR &
 FOUNDATIONS

Scale: as noted @ A1 Date: Sep. 2013 Approved: AA
 Drawing no. 1280-301 P3